

PRODUCT SHEET

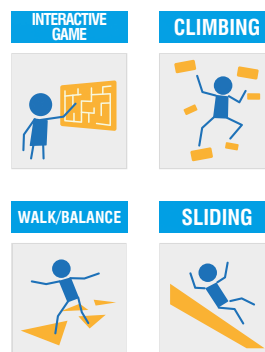
REV 2.1 - EN202003

H170S CANYON SPECIAL



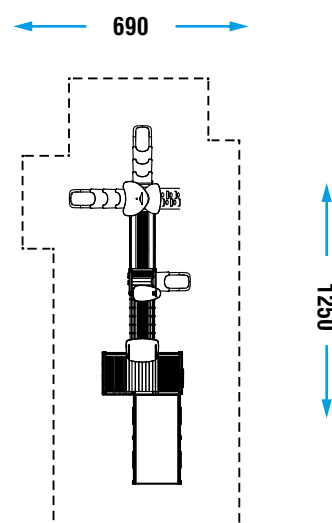
ORGANIZATION WITH QUALITY MANAGEMENT SYSTEM
 ISO 9001:2015 CERTIFIED by
 EuCI European Certification Institute LTD
 Certificate N.: GOTT253201932

ORGANIZATION WITH ENVIRONMENTAL MANAGEMENT SYSTEM
 ISO 14001:2015 CERTIFIED by
 EuCI European Certification Institute LTD
 Certificate N.: GOTT2532E1801



CATALOG COLLECTION	LET'S PLAY TOGETHER
DIMENSIONS (L x W x H) in cm	1150 x 390 x 315
MAXIMUM CFH	113
IMPACT ATTENUATING SURFACE	min. 86,00 m ² - MAX 101,50 m ²
SUGGESTED AGE OF USE	3+
COMPOSITION	<ul style="list-style-type: none"> - n°19 aluminium poles 90x90mm - n°3 aluminium decks - n°3 HDPE sheet roofs - n°8 metal guardpanels - n°1 HDPE sheet guardpanel - n°1 aluminium ramp - n°3 modular slides - n°1 metal playpanel - n°2 HDPE sheet playpanels - n°1 HDPE sheet climbing - n°1 rotating mold PTE climbing - n°1 slope bridge - n°1 ramp bridge with HDPE sidepanels

SECURITY AREA



Make a proper security surface according to CFH. Periodic maintenance is mandatory, following manual supplied to customer.