

PRODUCT SHEET
REV 2.1 - EN202003
6016 VIKING SHIP



ORGANIZATION WITH QUALITY MANAGEMENT SYSTEM
ISO 9001:2015 CERTIFIED by
EuCI European Certification Institute LTD
Certificate N.: GOTT253201932

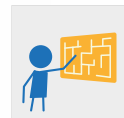
ORGANIZATION WITH ENVIRONMENTAL MANAGEMENT SYSTEM
ISO 14001:2015 CERTIFIED by
EuCI European Certification Institute LTD
Certificate N.: GOTT253201901



CRAWLING



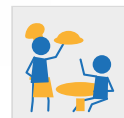
INTERACTIVE GAME



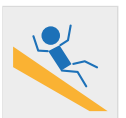
CLIMBING



MEETING & ROLE PLAY



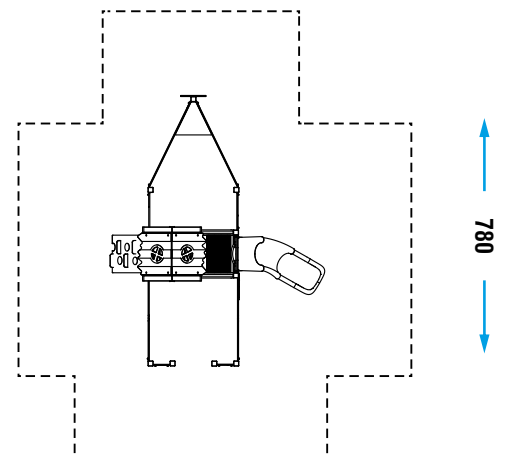
SLIDING



CATALOG COLLECTION	FUN COLLECTION
DIMENSIONS (L x W x H) in cm	380 x 480 x 280
MAXIMUM CFH	100
IMPACT ATTENUATING SURFACE	min. 46,25 m ² - MAX 56,00 m ²
SUGGESTED AGE OF USE	3 +
COMPOSITION	<ul style="list-style-type: none"> - n°13 timber or aluminium poles 9x9cm - n°2 timber or aluminium decks - n°1 gable roof - n°3 metal guardpanels - n°10 HDPE sheet guardpanels - n°1 rotating mold PTE climb - n°1 modular slide - n°1 metal playpanel

SECURITY AREA

680



Make a proper security surface according to CFH. Periodic maintenance is mandatory, following manual supplied to customer.