



**SCIVOLARE**



**ARRAMPICARE**



**MEETING & ROLE PLAY**



**INTERACTIVE GAME**



**CATALOG COLLECTION** | PLAYGROUND ESSENTIALS

**DIMENSIONS (L x W x H) in cm** | 237 x 310 x 210

**MAXIMUM CFH** | 90cm

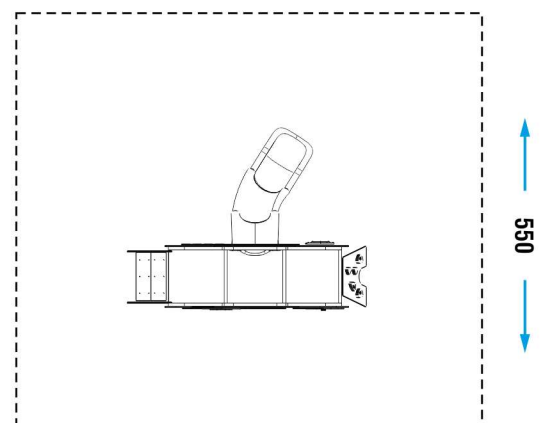
**IMPACT ATTENUATING SURFACE** | min. 27,00 m<sup>2</sup> - MAX 32,50 m<sup>2</sup>

**SUGGESTED AGE OF USE** | 3+

- COMPOSITION**
- n° 1 modular slide
  - n° 3 anti slip HDPE decks
  - n° 1 climbing
  - n° 1 accessible stairs
  - n° 1 play panel Yon
  - n° 1 engraved labyrinth play panel on HDPE
  - n° 1 handling play panel (labyrinth)
  - n° 1 height measuring panel
  - 40x40 section steel support frame

**SECURITY AREA**

600



*Make a proper security surface according to CFH. Periodic maintenance is mandatory, following manual supplied to customer.*