

PRODUCT SHEET
REV 2.1 - EN202003
**455 TRENINO
CON SCIVOLO**



ORGANIZATION WITH QUALITY MANAGEMENT SYSTEM
ISO 9001:2015 CERTIFIED by
EuCI European Certification Institute LTD
Certificate N.: GOTT253201932

ORGANIZATION WITH ENVIRONMENTAL MANAGEMENT SYSTEM
ISO 14001:2015 CERTIFIED by
EuCI European Certification Institute LTD
Certificate N.: GOTT253201901



INTERACTIVE
GAME



MEETING &
ROLE PLAY



CRAWLING



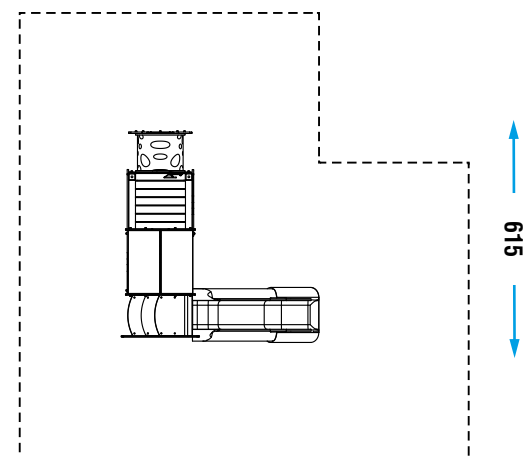
SLIDING



CATALOG COLLECTION	PLAYGROUND ESSENTIALS
DIMENSIONS (L x W x H) in cm	280 x 265 x 185
MAXIMUM CFH	85
IMPACT ATTENUATING SURFACE	min. 32,00 m ² - MAX 36,00 m ²
SUGGESTED AGE OF USE	6+
COMPOSITION	<ul style="list-style-type: none"> - n°6 timber or aluminium poles - n°2 timber decks - n°1 HDPE sheet roof - n°4 HDPE sheet guardpanels - n°1 tunnel - n°1 HDPE sheet bench - n°1 rotating mold PTE slide

SECURITY AREA

580



Make a proper security surface according to CFH. Periodic maintenance is mandatory, following manual supplied to customer.