

# PRODUCT SHEET

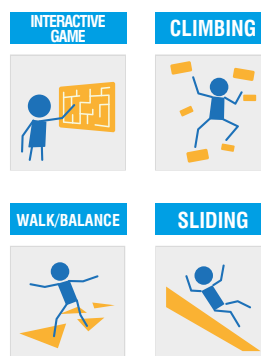
REV 2.1 - EN202003

## H170 CANYON



ORGANIZATION WITH QUALITY MANAGEMENT SYSTEM  
 ISO 9001:2015 CERTIFIED by  
 EuCI European Certification Institute LTD  
 Certificate N.: GOTT253201932

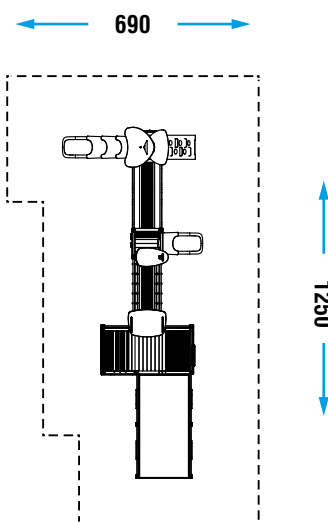
ORGANIZATION WITH ENVIRONMENTAL MANAGEMENT SYSTEM  
 ISO 14001:2015 CERTIFIED by  
 EuCI European Certification Institute LTD  
 Certificate No: GOTT2532E1801



<b>CATALOG COLLECTION</b>	LET'S PLAY TOGETHER
<b>DIMENSIONS (L x W x H) in cm</b>	975 x 390 x 315
<b>MAXIMUM CFH</b>	113
<b>IMPACT ATTENUATING SURFACE</b>	min. 76,00 m <sup>2</sup> - MAX 87,50 m <sup>2</sup>
<b>SUGGESTED AGE OF USE</b>	3+

<b>COMPOSITION</b>	<ul style="list-style-type: none"> <li>- n°19 aluminium poles 9x9cm</li> <li>- n°3 aluminium decks</li> <li>- n°3 HDPE sheet roofs</li> <li>- n°8 metal guardpanels</li> <li>- n°1 HDPE sheet guardpanel</li> <li>- n°1 aluminium ramp</li> <li>- n°2 modular slides</li> <li>- n°1 metal playpanel</li> <li>- n°3 HDPE sheet playpanels</li> <li>- n°1 HDPE sheet climbing</li> <li>- n°1 rotating mold PTE climbing</li> <li>- n°1 slope bridge</li> <li>- n°1 ramp bridge with HDPE sidepanels</li> </ul>
--------------------	--

### SECURITY AREA



*Make a proper security surface according to CFH. Periodic maintenance is mandatory, following manual supplied to customer.*