

PRODUCT SHEET  
REV 2.1 - EN202003  
**H120 FLORIDA**



ORGANIZATION WITH QUALITY MANAGEMENT SYSTEM  
ISO 9001:2015 CERTIFIED by  
EuCI European Certification Institute LTD  
Certificate N.: GOTT25201932

ORGANIZATION WITH ENVIRONMENTAL MANAGEMENT SYSTEM  
ISO 14001:2015 CERTIFIED by  
EuCI European Certification Institute LTD  
Certificate N.: GOTT2520E1901



INTERACTIVE  
GAME



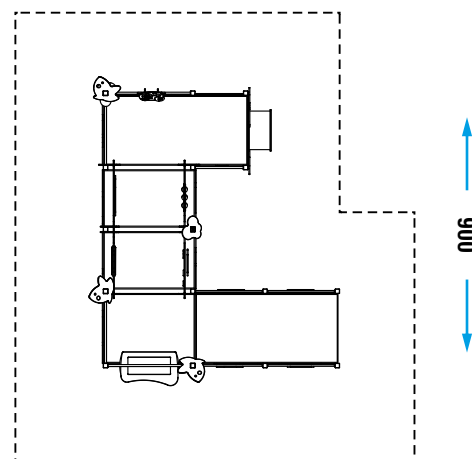
MEETING &  
ROLE PLAY



<b>CATALOG COLLECTION</b>	LET'S PLAY TOGETHER
<b>DIMENSIONS (L x W x H) in cm</b>	600 x 500 x 260
<b>MAXIMUM CFH</b>	33
<b>IMPACT ATTENUATING SURFACE</b>	min. 66,00 m <sup>2</sup> - MAX 72,00 m <sup>2</sup>
<b>SUGGESTED AGE OF USE</b>	3+
<b>COMPOSITION</b>	<ul style="list-style-type: none"> <li>- n°16 aluminium poles 9x9cm</li> <li>- n°4 aluminium decks with HDPE edges</li> <li>- n°7 metal barriers</li> <li>- n°1 aluminium ramp</li> <li>- n°7 HDPE sheet playpanels</li> <li>- n°1 aluminium and HDPE sheet sandbox</li> <li>- n°5 HDPE sheet decorations</li> </ul>

**SECURITY AREA**

800



*H120 is an equipment designed both for wheelchair users and able-bodied ones. Its particular shape makes it ideal for connection to other playground equipment to create areas where disabled and able-bodied can easily share playing moment.*

*Make a proper security surface according to CFH. Periodic maintenance is mandatory, following manual supplied to customer.*