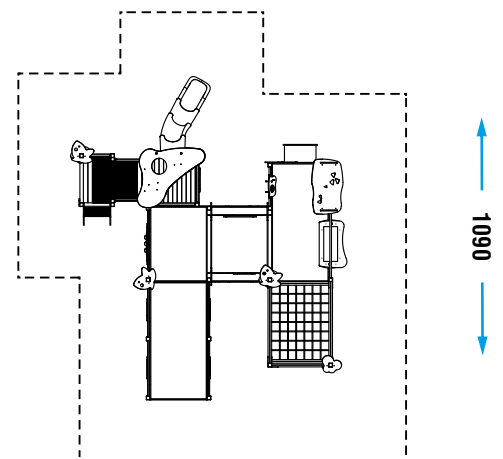


CATALOG COLLECTION	LET'S PLAY TOGETHER
DIMENSIONS (L x W x H) in cm	680 x 790 x 310
MAXIMUM CFH	120
IMPACT ATTENUATING SURFACE	min. 87,00 m ² - MAX 104,50 m ²
SUGGESTED AGE OF USE	3+
COMPOSITION	<ul style="list-style-type: none"> - n°22 aluminium poles 9x9cm - n°6 aluminium decks - n°2 HDPE sheet roofs - n°2 metal guardpanels - n°1 HDPE sheet guardpanel - n°4 metal tubular and HDPE guardpanels - n°1 aluminium stairs - n°1 modular slide - n°5 HDPE sheet playpanels - n°1 HDPE sheet and aluminium sandbox - n°1 HDPE playpanel with PTE tube - n°5 HDPE sheet decorations - n°1 horizontal rope net fitness

SECURITY AREA

950



Make a proper security surface according to CFH. Periodic maintenance is mandatory, following manual supplied to customer.