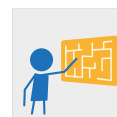




CLIMBING



INTERACTIVE
GAME



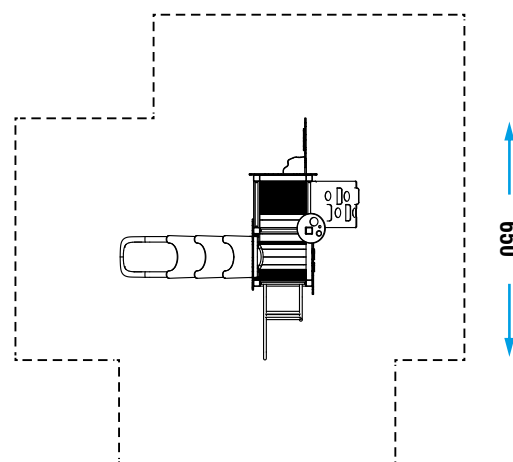
SLIDING



CATALOG COLLECTION	PARTY LINE
DIMENSIONS (L x W x H) in cm	350 x 350 x 330
MAXIMUM CFH	125
IMPACT ATTENUATING SURFACE	min. 35,50 m ² - MAX 42,25 m ²
SUGGESTED AGE OF USE	6 +
COMPOSITION	<ul style="list-style-type: none"> - n°6 timber or aluminium poles 9x9cm - n°2 timber or aluminium decks - n°4 metal guardpanels - n°3 HDPE sheet guardpanels - n°1 rotating mold PTE climbing - n°1 HDPE sheet climbing - n°1 metal tubular climbing - n°1 HDPE sheet playpanel - n°1 modular slide

SECURITY AREA

650



Make a proper security surface according to CFH. Periodic maintenance is mandatory, following manual supplied to customer.