

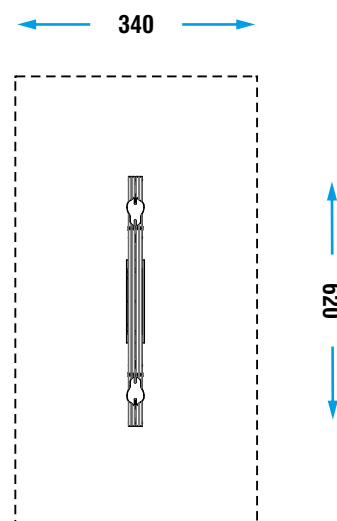


ROCKING



CATALOG COLLECTION	PLAYGROUND ESSENTIALS
DIMENSIONS (L x W x H) in cm	320 x 40 x 50
MAXIMUM CFH	-
IMPACT ATTENUATING SURFACE	min. 21,00 m ² - MAX 21,00 m ²
SUGGESTED AGE OF USE	3+
COMPOSITION	<p>HDPE slabs 19mm thick, complete with seats, knobs and plastic foot.</p> <p>Central crossbar composed of two aluminum poles, 90x90mm section with HDPE caps at the ends.</p> <p>Connection bracket in powder-coated metal sheet. It oscillates on two Ø200mm drawn steel springs with anticrushing system and a central pin with bearings.</p> <p>Side decorations in HDPE with decorative engravings.</p>

SECURITY AREA



Make a proper security surface according to CFH. Periodic maintenance is mandatory, following manual supplied to customer.