

PRODUCT SHEET

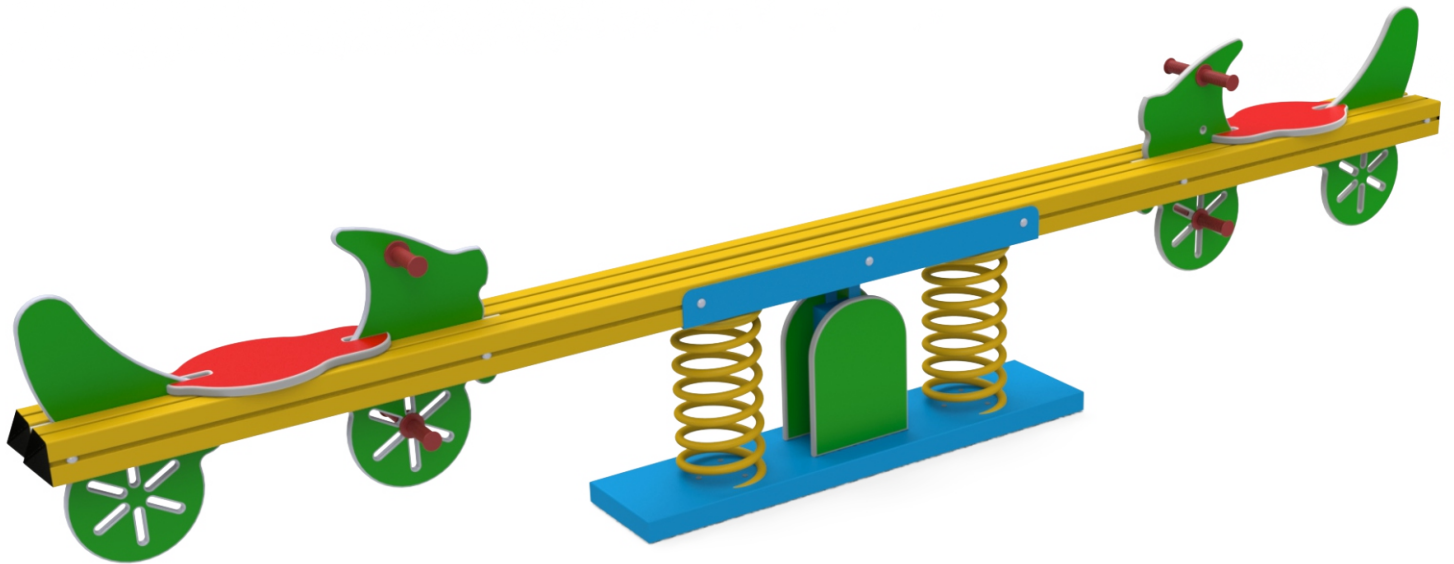
REV 2.1 - EN202003

800 BILICO
2 POSTI

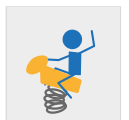


ORGANIZATION WITH QUALITY MANAGEMENT SYSTEM
ISO 9001:2015 CERTIFIED by
EuCI European Certification Institute LTD
Certificate N.: GOTT253201932

ORGANIZATION WITH ENVIRONMENTAL MANAGEMENT SYSTEM
ISO 14001:2015 CERTIFIED by
EuCI European Certification Institute LTD
Certificate N.: GOTT2532E1901

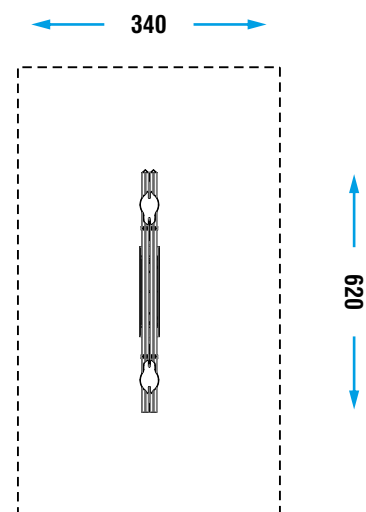


ROCKING



CATALOG COLLECTION	PLAYGROUND ESSENTIAL
DIMENSIONS (L x W x H) in cm	320 x 40 x 50
MAXIMUM CFH	-
IMPACT ATTENUATING SURFACE	min. 21,00 m ² - MAX 21,00 m ²
SUGGESTED AGE OF USE	3+
COMPOSITION	19mm thick HDPE sheet shapes, with HDPE seats and plastic handles and footrests. Central beam built up with two aluminium 90x90mm poles with rubber pyramidal caps on edges. Powder coated metal sheet joint stirrup. Oscillating on two central Ø200mm crushing free steel springs and and a central pivot with bearings. HDPE sheet panels with engravings aside.

SECURITY AREA



Make a proper security surface according to CFH. Periodic maintenance is mandatory, following manual supplied to customer.