

# PRODUCT SHEET

REV 2.1 - EN202003

## 6060 SIRIO


 ORGANIZATION WITH QUALITY MANAGEMENT SYSTEM  
 ISO 9001:2015 CERTIFIED by  
 EuCI European Certification Institute LTD  
 Certificate N.: GOTT25201932

 ORGANIZATION WITH ENVIRONMENTAL MANAGEMENT SYSTEM  
 ISO 14001:2015 CERTIFIED by  
 EuCI European Certification Institute LTD  
 Certificate No: GOTT2520E1901

 INTERACTIVE  
 GAME

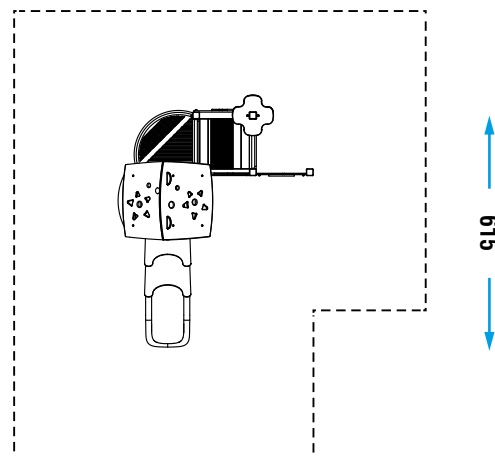

SLIDING



<b>CATALOG COLLECTION</b>	FUN COLLECTION
<b>DIMENSIONS (L x W x H) in cm</b>	260 x 340 x 305
<b>MAXIMUM CFH</b>	85
<b>IMPACT ATTENUATING SURFACE</b>	min. 30,00 m <sup>2</sup> - MAX 33,00 m <sup>2</sup>
<b>SUGGESTED AGE OF USE</b>	3 +
<b>COMPOSITION</b>	<ul style="list-style-type: none"> <li>- n°8 timber or aluminium poles 9x9cm</li> <li>- n°3 timber or aluminium decks</li> <li>- n°1 gable roof</li> <li>- n°6 metal guardpanels</li> <li>- n°1 HDPE sheet guardpanel</li> <li>- n°1 modular slide</li> <li>- n°2 HDPE sheet playpanels</li> <li>- n°1 metal playpanel</li> <li>- n°1 HDPE sheet bench</li> </ul>

### SECURITY AREA

550



Make a proper security surface according to CFH. Periodic maintenance is mandatory, following manual supplied to customer.