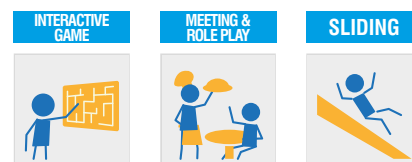


PRODUCT SHEET
REV 2.1 - EN202003
6017 MAIORCA



ORGANIZATION WITH QUALITY MANAGEMENT SYSTEM
ISO 9001:2015 CERTIFIED by
EuCI European Certification Institute LTD
Certificate N.: GOTT253201932

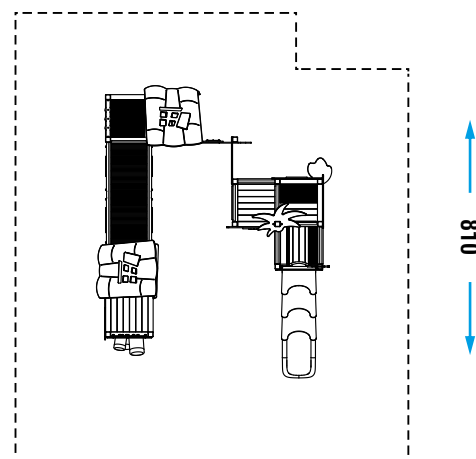
ORGANIZATION WITH ENVIRONMENTAL MANAGEMENT SYSTEM
ISO 14001:2015 CERTIFIED by
EuCI European Certification Institute LTD
Certificate No: GOTT2532E1901



| | |
|-------------------------------------|---|
| CATALOG COLLECTION | FUN COLLECTION |
| DIMENSIONS (L x W x H) in cm | 390 x 510 x 330 |
| MAXIMUM CFH | 125 |
| IMPACT ATTENUATING SURFACE | min. 54,00 m ² - MAX 56,00 m ² |
| SUGGESTED AGE OF USE | 3 + |
| COMPOSITION | <ul style="list-style-type: none"> - n° 21 wooden or aluminium poles 9x9cm - n° 7 wooden or aluminum decks - n° 2 HDPE sheet roofs - n° 8 metal guardpanels - n° 6 HDPE sheet guardpanels - n° 3 metal tubes - n° 1 arched bridge - n° 1 modular slide - n° 1 HDPE sheet playpanel «bonghi» - n° 1 HDPE sheet playpanel «forza 4» - n° 1 metal playpanel «tris» - n° 2 HDPE sheet decorations |

SECURITY AREA

690



Make a proper security surface according to CFH. Periodic maintenance is mandatory, following manual supplied to customer.