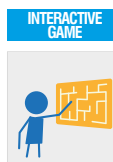


PRODUCT SHEET
REV 2.1 - EN202003
491 CLARA



ORGANIZATION WITH QUALITY MANAGEMENT SYSTEM
ISO 9001:2015 CERTIFIED by
EuCI European Certification Institute LTD
Certificate N.: GOTT253201932

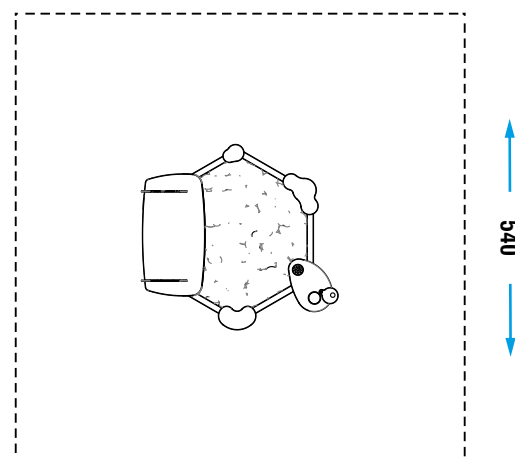
ORGANIZATION WITH ENVIRONMENTAL MANAGEMENT SYSTEM
ISO 14001:2015 CERTIFIED by
EuCI European Certification Institute LTD
Certificate No: GOTT2532E1901



CATALOG COLLECTION	PLAYGROUND ESSENTIALS
DIMENSIONS (L x W x H) in cm	240 x 230 x 165
MAXIMUM CFH	35
IMPACT ATTENUATING SURFACE	min. 27,25 m ² - MAX 30,25 m ²
SUGGESTED AGE OF USE	2+
COMPOSITION	Sandbox with holding sides built up with glulam wood 80x320mm with HDPE 19mm sheet double color rounded seats. HDPE sheet canopy with playpanel supported by n°2 90x90mm cloverleaf glulam timber poles. «Sieve» playing element in powder coated metal sheet with metal tubular support and moving HDPE sheet cover.

SECURITY AREA

← 530 →



Make a proper security surface according to CFH. Periodic maintenance is mandatory, following manual supplied to customer.