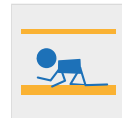




SLIDING



CRAWLING



CLIMBING



WALK/BALANCE



INTERACTIVE GAME

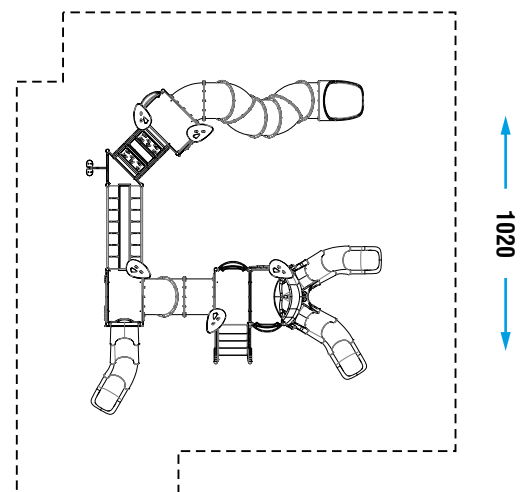


CATALOG COLLECTION	TIKA LINE
DIMENSIONS (L x W x H) in cm	640 x 725 x 355
MAXIMUM CFH	180
IMPACT ATTENUATING SURFACE	min. 92,25 m ² - MAX 99,75 m ²
SUGGESTED AGE OF USE	3 +

COMPOSITION	<ul style="list-style-type: none"> - n°17 octagonal profile aluminium structural poles - n°5 powder coated aluminium treadplate decks - n°4 metal guardpanels - n°3 rotating mold PTE guardpanels - n°1 tube bridge - n°1 rope net bridge - n°1 sloping bridge with rungs - n°1 aluminium stair - n°1 HDPE sheet climbing - n°1 perch with steps - n°3 HDPE sheet playpanels - n°1 rotating mold PTE modular slide - n°1 rotating mold PTE double modular slide - n°1 rotating mold PTE tube slide - n°5 HDPE sheet decorations
--------------------	--

SECURITY AREA

950



Make a proper security surface according to CFH. Periodic maintenance is mandatory, following manual supplied to customer.