



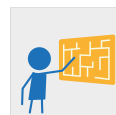
SLIDING



CLIMBING



INTERACTIVE GAME



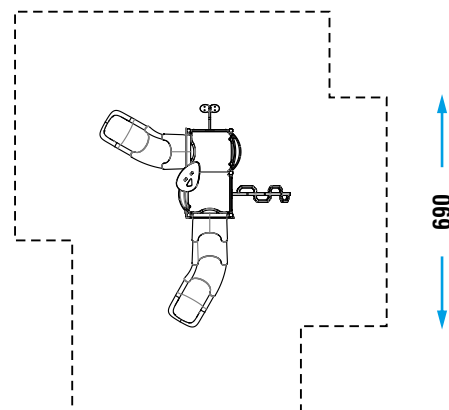
CATALOG COLLECTION	TIKA LINE
DIMENSIONS (L x W x H) in cm	390 x 335 x 285
MAXIMUM CFH	125
IMPACT ATTENUATING SURFACE	min. 38,75 m ² - MAX 45,50 m ²
SUGGESTED AGE OF USE	4 +

COMPOSITION

- n°6 octagonal profile aluminium structural poles
- n°2 powder coated aluminium treadplate decks
- n°2 metal guardpanels
- n°2 rotating mold PTE guardpanels
- n°1 perch with steps
- n°1 metal arch climbing with handles
- n°1 HDPE sheet climbing
- n°1 HDPE sheet playpanel
- n°2 rotating mold PTE modular slides
- n°1 HDPE sheet decoration

SECURITY AREA

635



Make a proper security surface according to CFH. Periodic maintenance is mandatory, following manual supplied to customer.