



INTERACTIVE
GAME



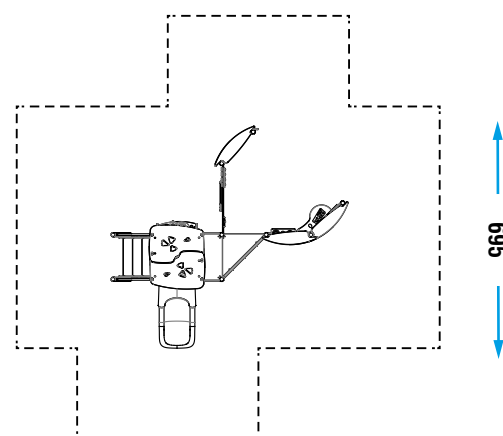
SLIDING



CATALOG COLLECTION	TIKA LINE
DIMENSIONS (L x W x H) in cm	395 x 370 x 260
MAXIMUM CFH	60
IMPACT ATTENUATING SURFACE	min. 37,00 m ² - MAX 49,00 m ²
SUGGESTED AGE OF USE	2 +
COMPOSITION	<ul style="list-style-type: none"> - n°11 octagonal aluminium poles - n°3 aluminium decks - n°1 HDPE sheet gable roof - n°1 metal guardpanel - n°1 modular slide - n°3 HDPE sheet decorations - n°1 aluminium stairs - n°3 HDPE sheet playpanels - n°3 HDPE sheet guardpanels

SECURITY AREA

670



Make a proper security surface according to CFH. Periodic maintenance is mandatory, following manual supplied to customer.