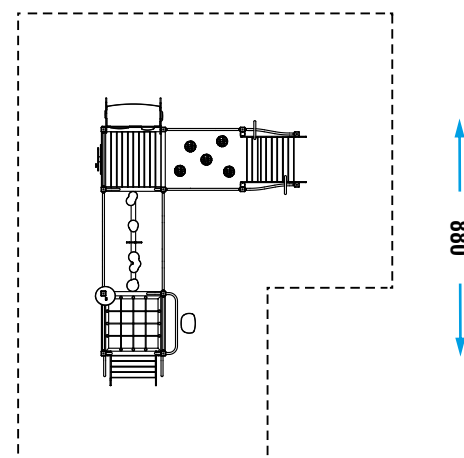




CATALOG COLLECTION	LET'S GET PHYSICAL
DIMENSIONS (L x W x H) in cm	420 x 580 x 250
MAXIMUM CFH	40
IMPACT ATTENUATING SURFACE	min. 58,75 m ² - MAX 67,50 m ²
SUGGESTED AGE OF USE	50+
COMPOSITION	<ul style="list-style-type: none"> - n°12 timber or aluminium poles - n°1 panel for arms and hips exercise - n°1 bench - n°1 shoulder exercise track - n°1 crossbar with seating for legs exercise - n°3 equilibrium exercise tracks

SECURITY AREA

720



Make a proper security surface according to CFH. Periodic maintenance is mandatory, following manual supplied to customer.