

PRODUCT SHEET
REV 2.1 - EN202003
233 GULLYVER



ORGANIZATION WITH QUALITY MANAGEMENT SYSTEM
ISO 9001:2015 CERTIFIED by
EuCI European Certification Institute LTD
Certificate N.: GOTT253201932

ORGANIZATION WITH ENVIRONMENTAL MANAGEMENT SYSTEM
ISO 14001:2015 CERTIFIED by
EuCI European Certification Institute LTD
Certificate No: GOTT2532E1801



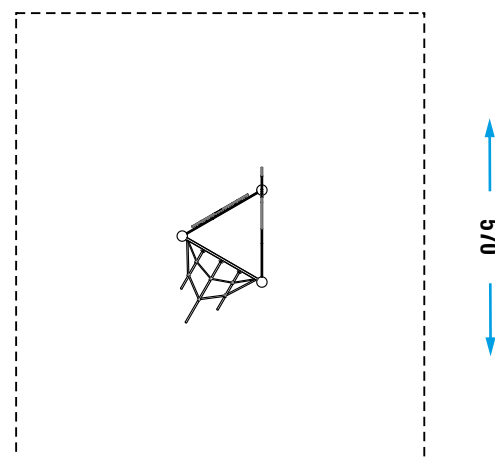
CLIMBING



CATALOG COLLECTION	PLAYGROUND ESSENTIALS
DIMENSIONS (L x W x H) in cm	170 x 110 x 170
MAXIMUM CFH	200
IMPACT ATTENUATING SURFACE	min. 23,75 m ² - MAX 27,50 m ²
SUGGESTED AGE OF USE	10+
COMPOSITION	<ul style="list-style-type: none"> - n°3 aluminium Ø127mm poles - n°1 HDPE sheet climbing - n°1 HDPE sheet climbing with HDPE shaped holds - n°1 net climbing with metal tubular crossbar - n°1 HDPE sheet decoration

SECURITY AREA

510



Make a proper security surface according to CFH. Periodic maintenance is mandatory, following manual supplied to customer.