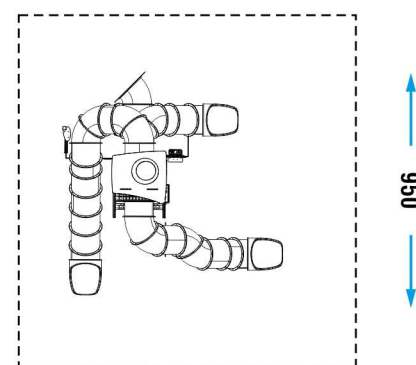


<b>COLLECTION</b>	TITAN COLLECTION
<b>DIMENSIONS (L x W x H) in cm</b>	600 x 595 x 585
<b>MAXIMUM CFH</b>	150
<b>IMPACT ATTENUATING SURFACE</b>	min. 5,25 m <sup>2</sup> - MAX 87,00 m <sup>2</sup>
<b>SUGGESTED AGE OF USE</b>	4+

<b>COMPOSITION</b>	<ul style="list-style-type: none"> <li>- 4 rectangular aluminium posts 70x130mm</li> <li>- 3 non-slip aluminium decks with powder coated steel frame</li> <li>- 3 climbing ladders in powder coated steel</li> <li>- 14 powder coated steel barriers</li> <li>- 8 HDPE barriers 15 mm thickness</li> <li>- 3 tube slides</li> <li>- 1 HDPE roof 15 mm thickness</li> <li>- 1 play panel Campana</li> <li>- 1 play panel Blossom</li> <li>- 1 labyrinth play panel engraved on HDPE</li> <li>- 1 tactile play panel</li> <li>- 1 play panel Incastro</li> <li>- 1 height measuring panel</li> <li>- 1 tube consisting of two curves 45°</li> </ul>
--------------------	---

**SECURITY AREA**

← 915 →



*Make a proper security surface according to CFH. Periodic maintenance is mandatory, following manual supplied to customer.*